

H101-PRIOR-NZ100-H117

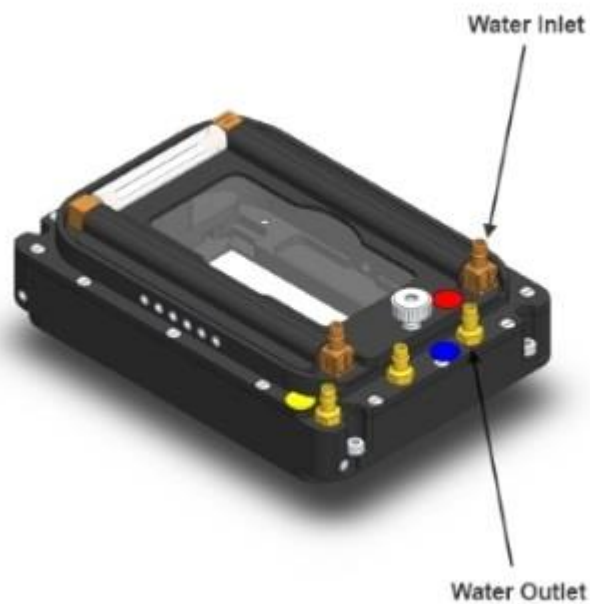
Stage Compatibility: fits in Prior NZ100/200 in Prior H117

Magnetic inserts allow to use:

- 35/60 mm Petri
- 1x3 in. / 1x2 in. chambered slides

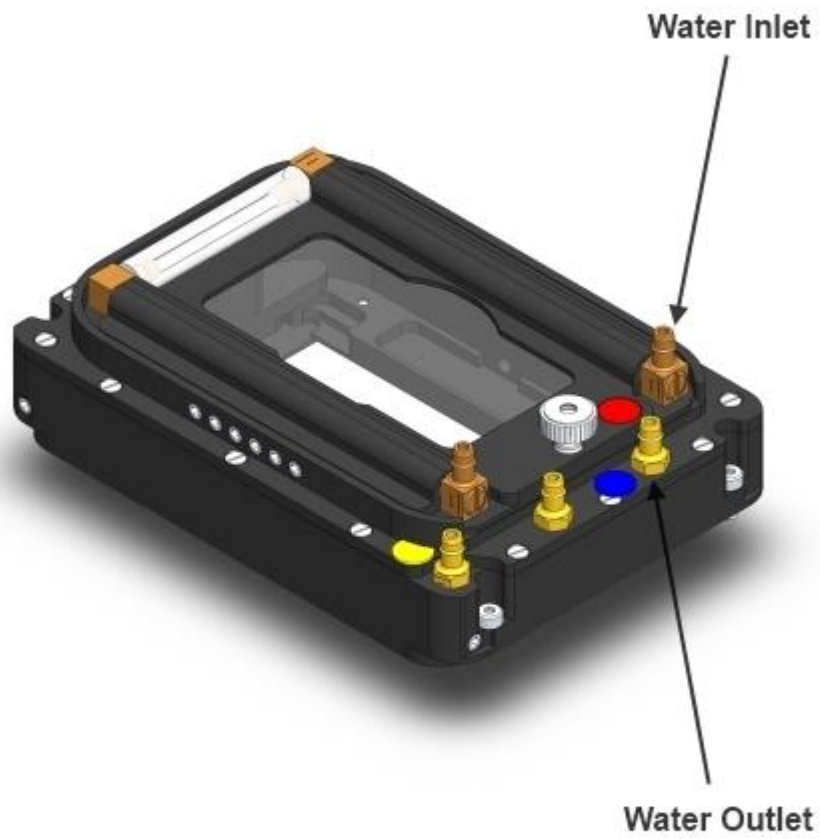
Features:

- Chamber uniformly heated by means water circulation in water tight channels present in the main body and in the lid
- Perfusion holes: 12 channels for 2.5mm O.D. tubings are available in chamber riser



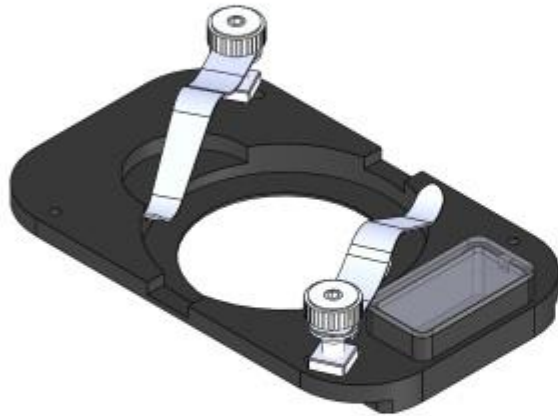
AVAILABLE INSERTS

H101-1x35-PRIOR-NZ100	#1 35mm Petri-dish
H101-1xGS-PRIOR-NZ100	#1 1x3in. chamber slide
H101-1xLABTEK-PRIOR-NZ100	#1 Lab-Tek 1x2 in. chambered cover glass
H101-1xLABTEK-II-PRIOR-NZ100	#1 Lab-Tek II 1x2 in. chambered cover glass

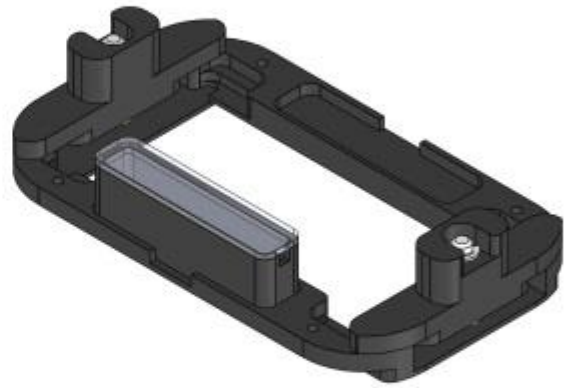


H101-PRIOR-NZ100-H107

H101-PRIOR-NZ100-H117 - 3D View



H101-1x35-PRIOR-NZ100
For #1 35mm Petri-dish



H101-1xGS-PRIOR-NZ100
For #1 1"x3" chamber slide

H101-PRIOR-NZ100-H117 - Magnetic Inserts